

Seat Belt Sliding Komfort Latch® Instructions and Usage Guide

LIFEGUARD
TECHNOLOGIES®
Advanced Occupant Protection

18881 U.S. 31 North
P.O. Box 408
Westfield, IN 46074-0408
U.S.A.
www.lifeguardtechnologies.com

Instructions on How to Best Use the Sliding Komfort Latch

The Sliding Komfort Latch is an optional feature.

1. To use the Sliding Komfort Latch feature, adjust seat to a comfortable driving position.
2. Put on the seat belt and latch the buckle.
For applications with a seat belt adjuster:
Adjust the shoulder belt web guide as shown in Figure 1 to a comfortable position.
3. Be sure that the seat belt is snug against your chest before setting the Sliding Komfort Latch.

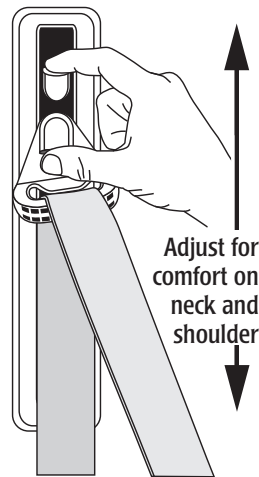


Figure 1

Shoulder Belt Web Guide

Pinch the top and bottom levers together as you move the shoulder belt web guide to the correct height.

Move shoulder belt web guide until it clicks into a locked position.

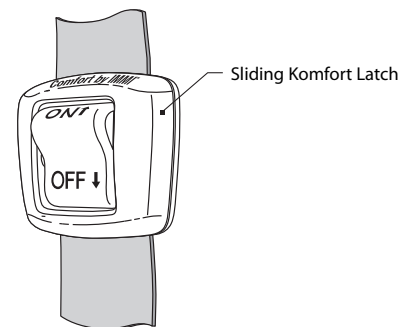
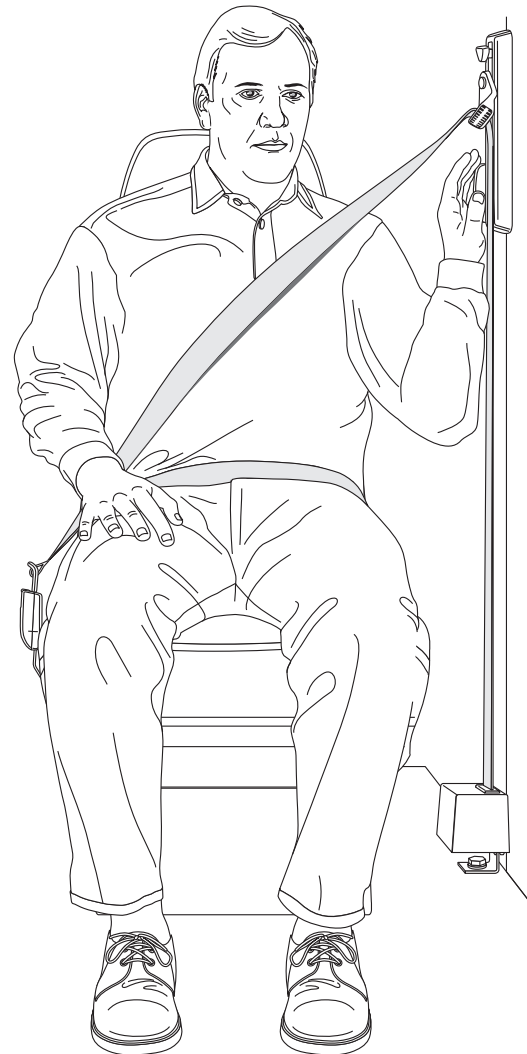


Figure 2

To Set the Sliding Komfort Latch:

1. Be sure that the shoulder belt is snug against your chest. Without loosening the shoulder belt, push the ON/OFF switch on the Sliding Komfort Latch (Figure 2) to the "ON" position.
2. To activate the Sliding Komfort Latch, pull out the shoulder strap a few inches to relieve seat belt tension. (This will also occur automatically during normal vehicle operation).
Caution: Never allow more than 2 inches of slack in the shoulder belt. (Approximately two fingers from the chest)

To Release the Sliding Komfort Latch:

1. Push the ON/OFF switch located on the Sliding Komfort Latch (Figure 2) to the "OFF" position or pull the shoulder strap out until you feel the Sliding Komfort Latch release.

Seat Belt Sliding Komfort Latch® Installation Instructions

LIFEGUARD
TECHNOLOGIES®
Advanced Occupant Protection

18881 U.S. 31 North
P.O. Box 408
Westfield, IN 46074-0408
U.S.A.
www.lifeguardtechnologies.com

To Install with Shoulder Loop Web Guide:

1. Be sure the seat belt is not twisted between the retractor and shoulder loop.
2. Assemble hardware as shown in Figure 1. Some applications require an optional metal spacer to move the Sliding Komfort Latch and shoulder loop away from the vehicle cab trim. This metal spacer should only be used when specified by the vehicle manufacturer.
3. The Sliding Komfort Latch must be installed vertically aligned with seat belt from retractor. See Figure 2. When installed, the shoulder loop and Sliding Komfort Latch must rotate freely. Both must return to the horizontal position when belt is retracted as shown in Figure 2. The approximate position of the shoulder loop when the seat belt is in use is shown in Figure 3.
4. Tighten bolt to 35-50 ft-lbs torque.

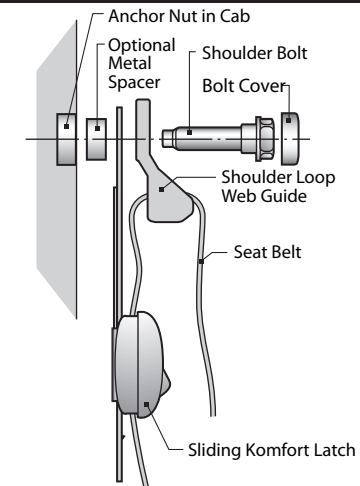


Figure 1

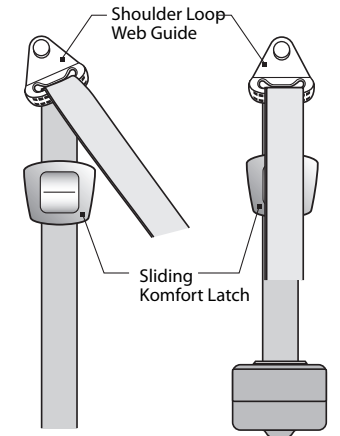


Figure 2

Figure 3

To Install with Seat Belt Height Adjuster:

1. Be sure the seat belt is not twisted between the retractor and height adjuster.
2. Align seat belt height adjuster bolts with 2 threaded mounting holes in vehicle B-pillar or mounting surface. See Figure 4.
3. Locate bolt heads inside channel through trim brushes.
4. Torque against B-pillar or mounting surface by alternately tightening top and bottom bolt until fully torqued to 35-50 ft-lbs.

Important:

Verify proper position and installation of seat belt height adjuster by moving shoulder loop web guide through full range of adjustment. See Figure 5. Top bolt must not interfere with adjustment.

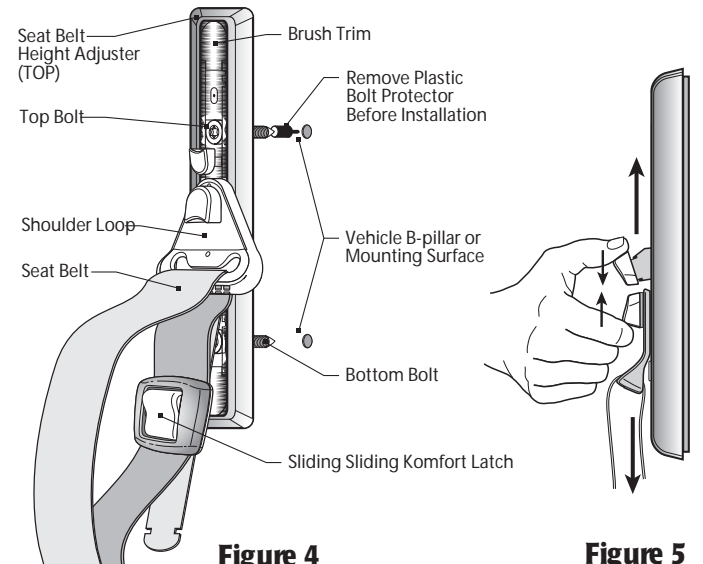


Figure 4

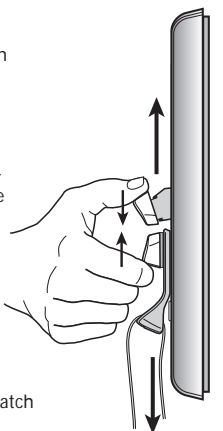


Figure 5

Important Features to Check

1. Be sure seat belt is not twisted between retractor and shoulder loop web guide.
2. Be sure shoulder loop web guide rotates freely.
3. Once retractor and shoulder loop web guide have been installed, the system must extract and retract seat belt webbing freely.
4. Be sure all bolts have been properly torqued to 35-50 ft-lbs.
5. Be sure Sliding Sliding Komfort Latch can slide freely up and down and does not interfere with vehicle trim.